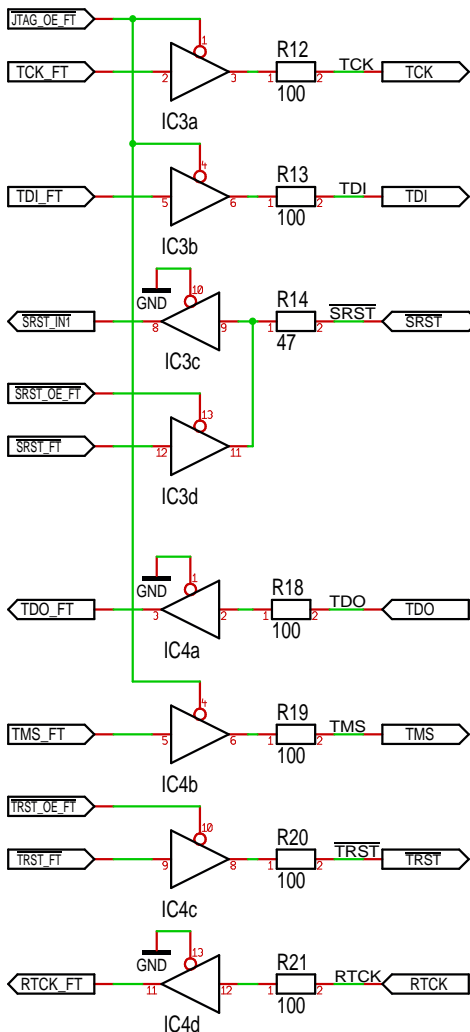
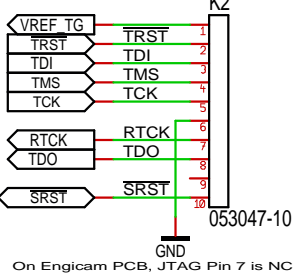


FT232H side

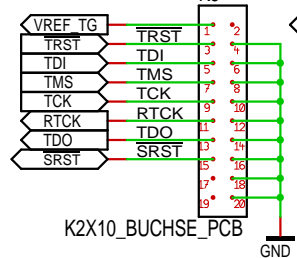
JTAG side



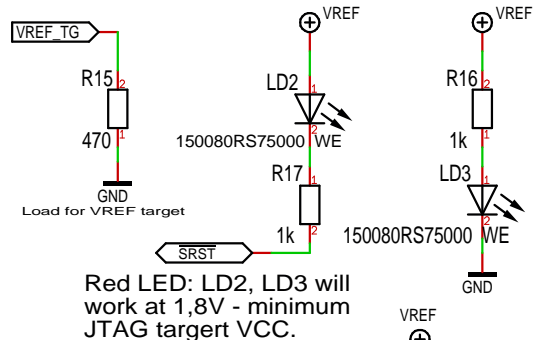
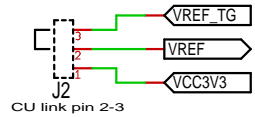
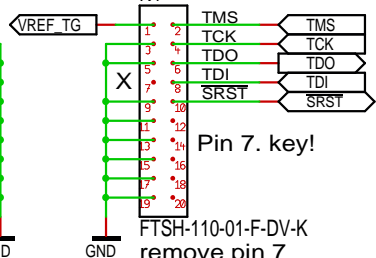
Engicam JTAG



ARM 20 Pin 0,1" JTAG



20 Pin 1mm JTAG



IC3 and IC4: 74LCX125  
 JTAG Target voltage: (1,8V) 2,5V to 5.5V  
 74LCX125 and FT232H tolerates 5.5V inputs  
 FT232H has a Voh of 2.4V and a Vih of 2.0V at 3.3V Vcc.  
 74LCX125 has a Voh of 2.1V and a Vih of 2.0V at 2.5V Vcc.

Maßstab	100,00%	Firma: WHIE	Zeichner: WH	Blatt: 1 - 3
Änderung	16.10.15	16:35	Titel: JTAG Debugger with FT232H V 1.4	
Ausgabe	16.10.15	16:35		
Datei	jtag_debugger_v1.4.T3001		Projekt: JTAG Adapter	

Based on an idea and work of [www.opendous.org/jtag](http://www.opendous.org/jtag)