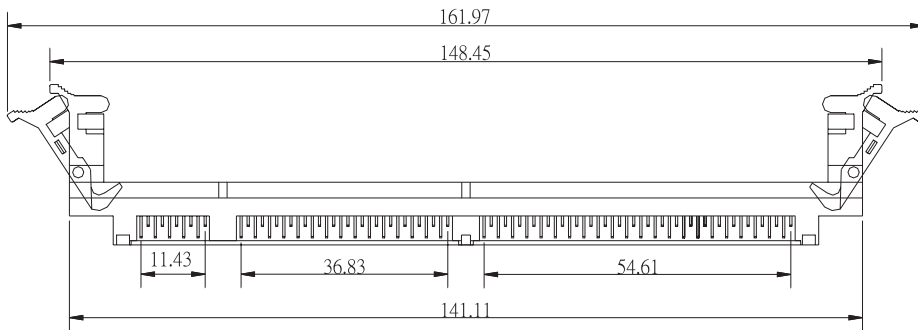
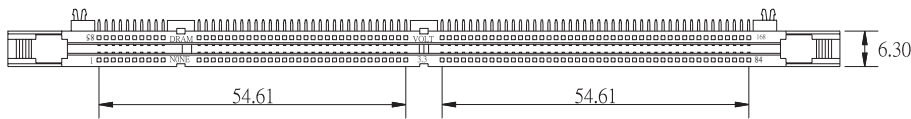
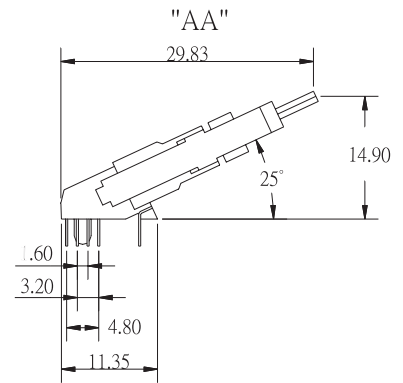
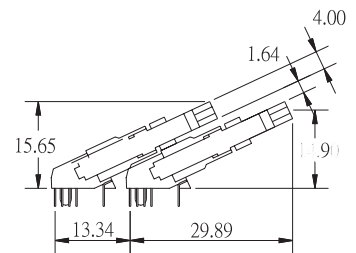
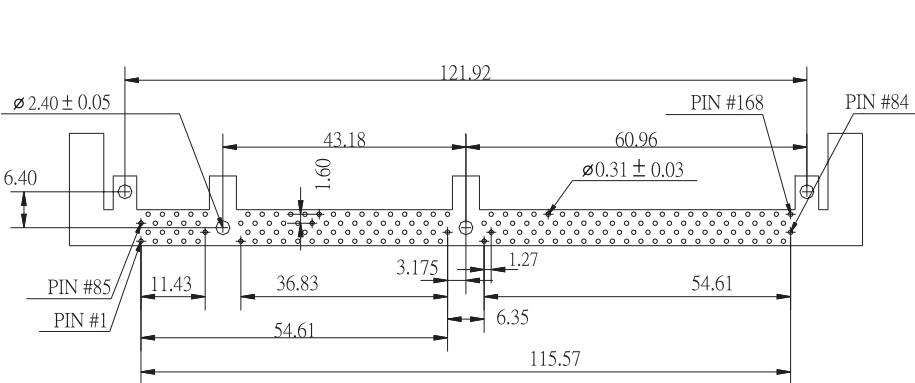
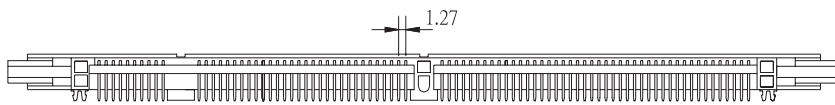


D15 DIMM SOCKET



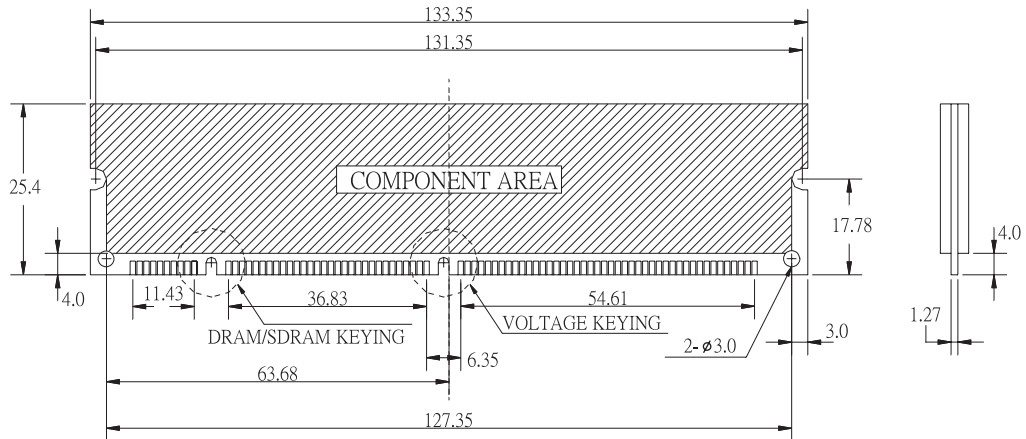
"AA"



RECOMMENDED P.C. BOARD LAYOUT

D

D15 DIMM SOCKET



RECOMMEND MODULE LAYOUT

RAM BOARD			
VOLTAGE KEYING			
	(A) 5.0 V	(B) 3.3 V	(C) X.x V
DRAM/SDRAM KEYING			
	(A) 5.0 V & 3.3 V DRAM	(B) 5.0 V & 3.3 V SDRAM	(C) UNBUFFERED DRAM

HOW TO ORDER:

D15 - - - - - - - -

1.NO. OF CONTACT	2.CONTACT MATERIAL	3.CONTACT PLATING	4.MOUNTING TYPE
168	A: BRASS B: PHOSPHOR BRONZE	T: TIN PLATED S: SELECTIVE G: GOLD FLASH	A: VERTICAL B: 25 DEGREE
5.EAR TYPE	6.VOLTAGE KEYING TYPE	7.DRAM KEYING TYPE	8.INSULATOR COLOR
A: HIGH EAR B: LOW EAR	A: LEFT SIDE B: CENTER C: RIGHT SIDE	A: CENTER B: LEFT SIDE C: RIGHT SIDE	1. BLACK