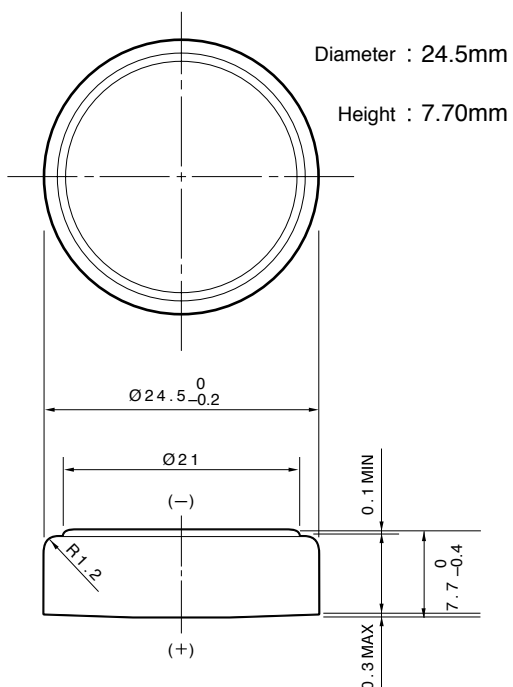


Lithium Manganese Dioxide Battery

CR2477

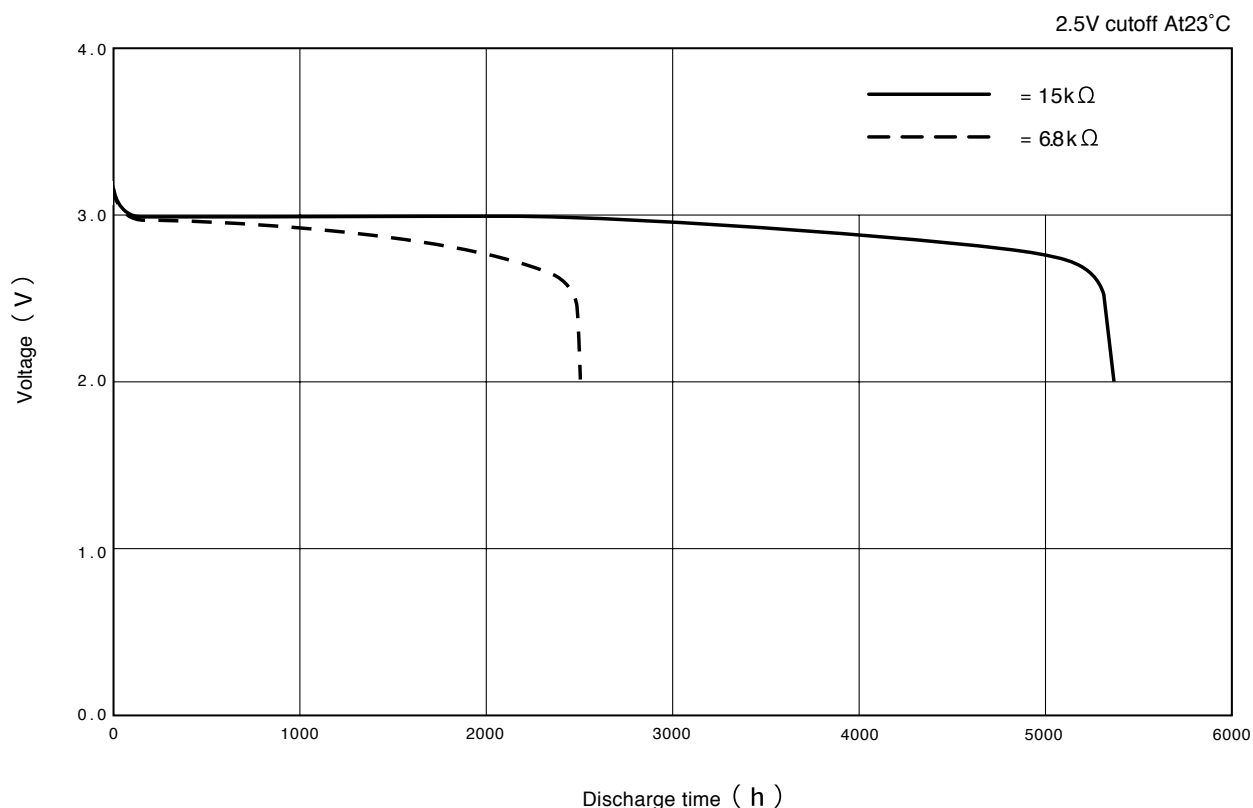
■ **Dimensions (mm)**



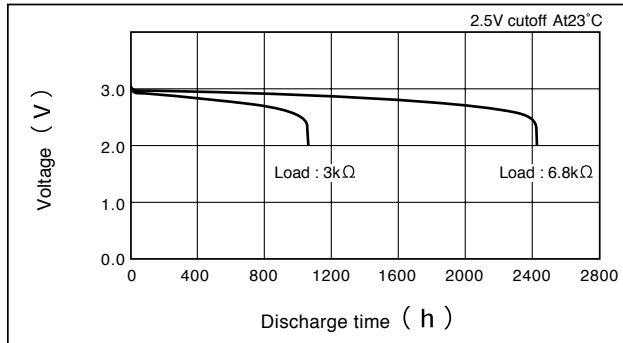
■ **Specifications**

| | |
|---|----------------|
| Nominal Voltage | 3V |
| Nominal Capacity (2.5V cutoff) | 1000mAh |
| Recommended Continuous Drain | 0.4mA |
| Recommended Pulse Drain | 24mA |
| Weight | 10.0g |
| Applications | |
| ● Memory Back-up Power Source for SRAM or Real Time Clock (RTC) | |

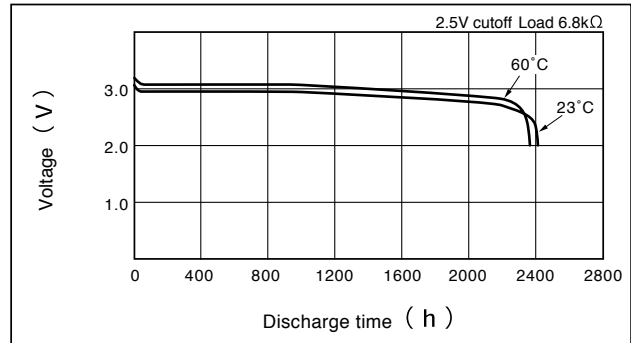
■ **Discharge Characteristics**



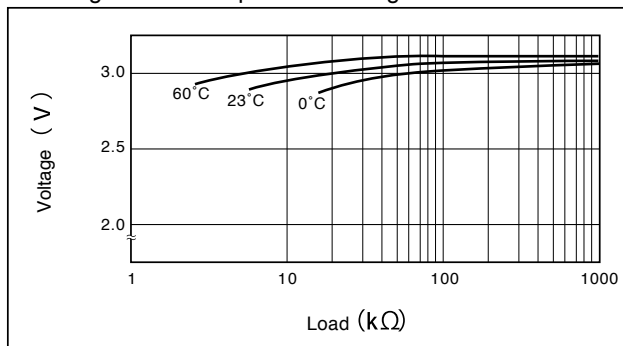
Discharge Characteristics on Load



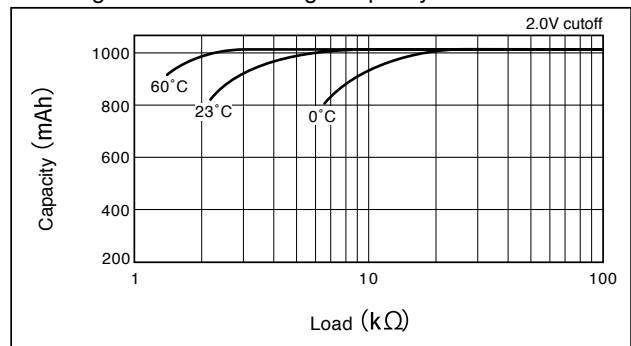
Discharge Characteristics on Temperature



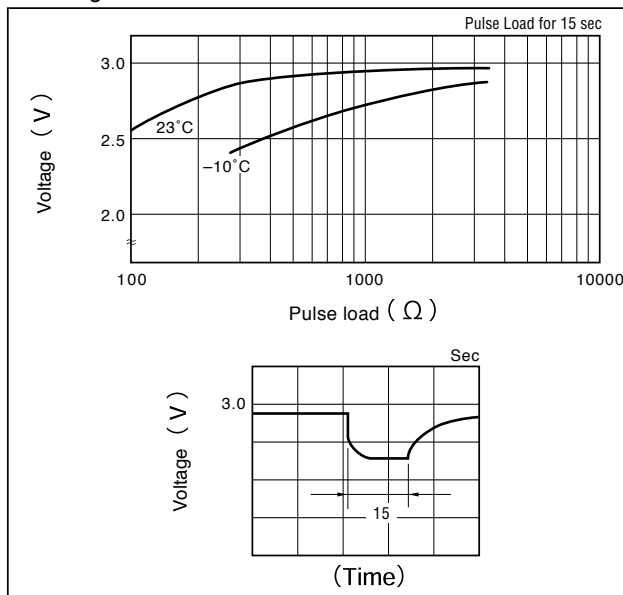
Discharge Load vs. Operation Voltage (Discharge depth 40%)



Discharge Load vs. Discharge Capacity



Discharge Characteristics on Pulse Load (Discharge depth 40%)



Storage Characteristics

