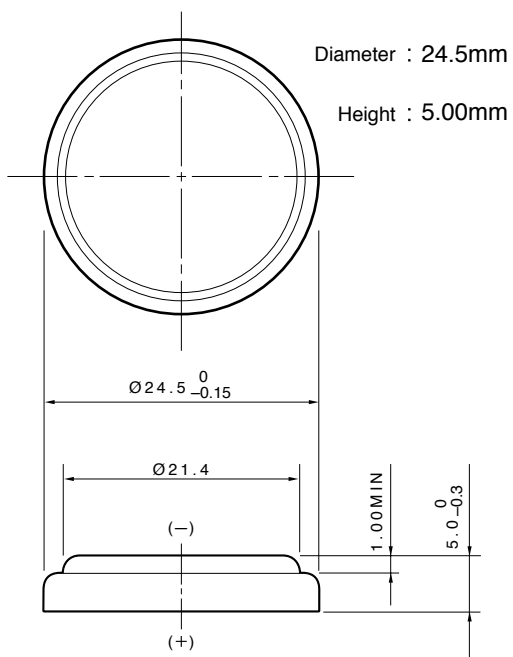


Lithium Manganese Dioxide Battery **CR2450**

■ Dimensions (mm)



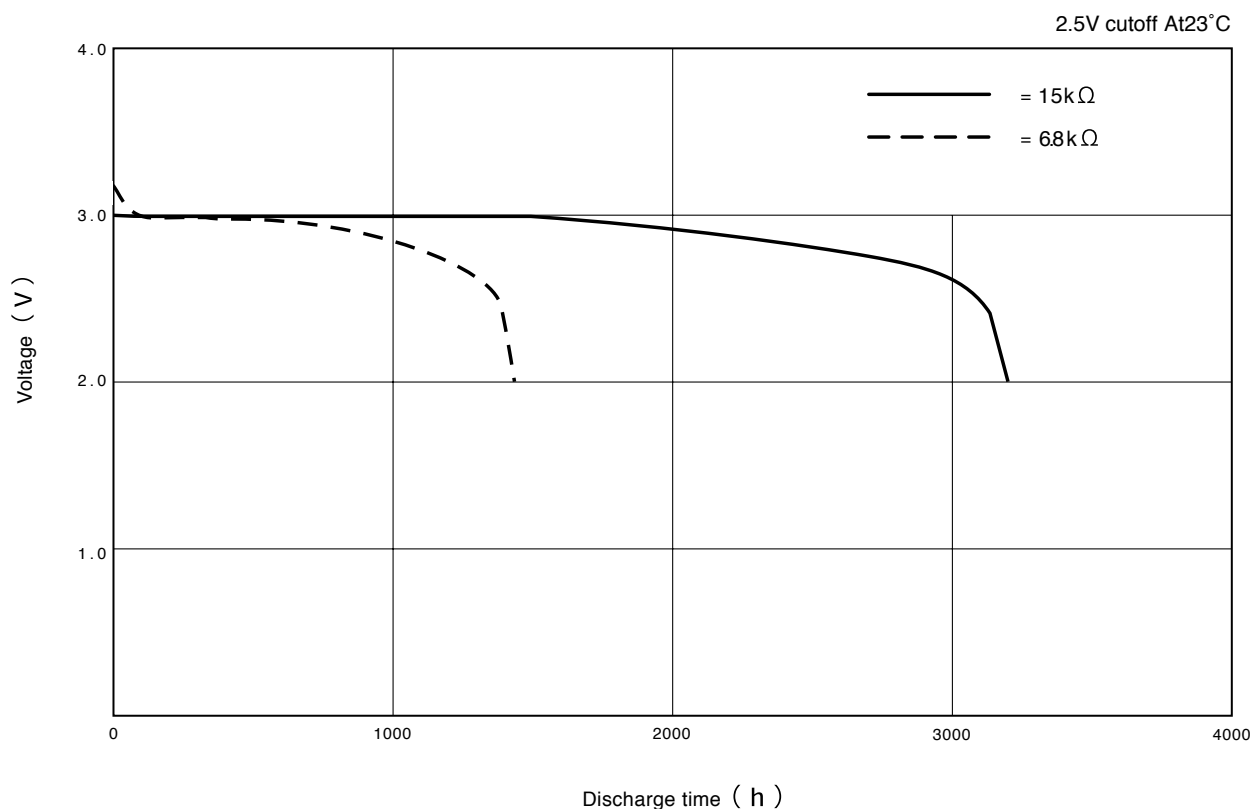
■ Specifications

Nominal Voltage	3V
Nominal Capacity (2.5V cutoff)	600mAh
Recommended Continuous Drain	0.4mA
Recommended Pulse Drain	24mA
Weight	6.8g

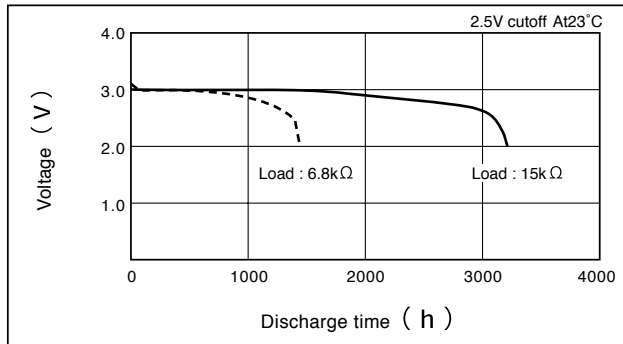
Applications

- Memory Back-up Power Source for SRAM or Real Time Clock (RTC)

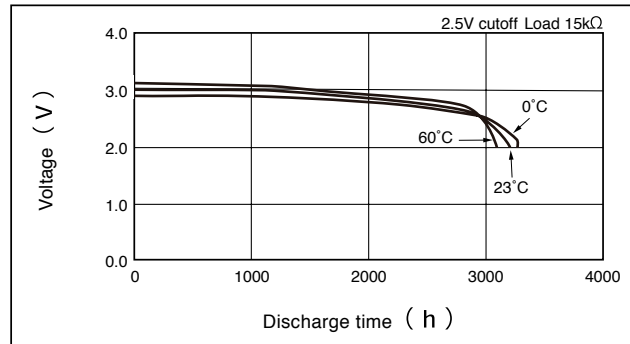
■ Discharge Characteristics



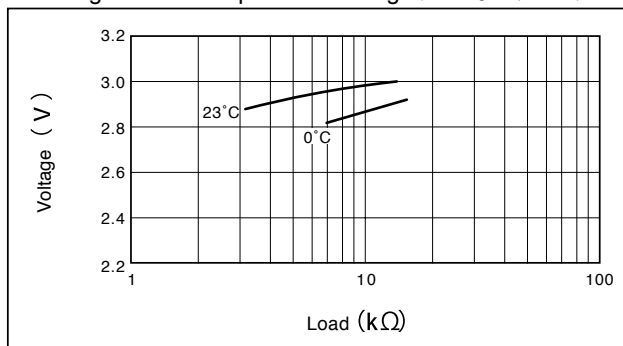
Discharge Characteristics on Load



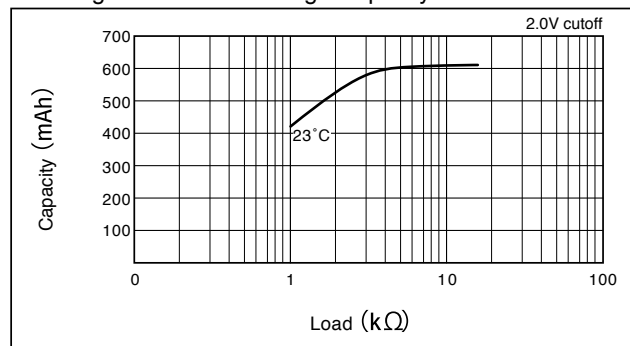
Discharge Characteristics on Temperature



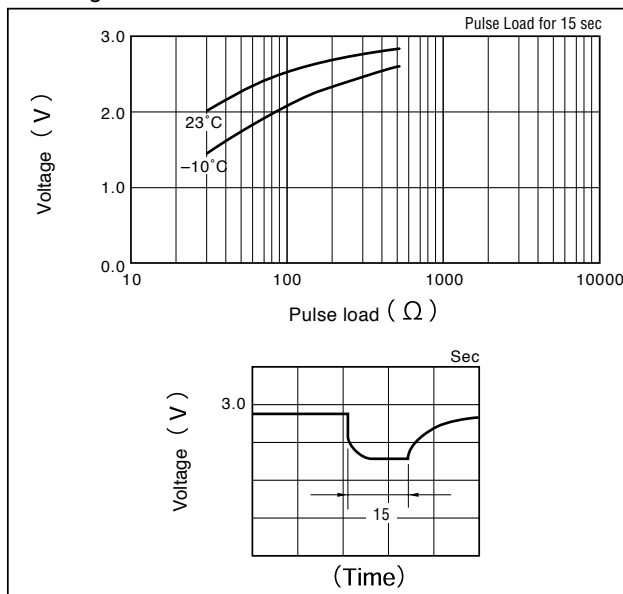
Discharge Load vs. Operation Voltage (Discharge depth 40%)



Discharge Load vs. Discharge Capacity



Discharge Characteristics on Pulse Load (Discharge depth 40%)



Storage Characteristics

