

CR2025

3V Lithium Battery
Swiss Made

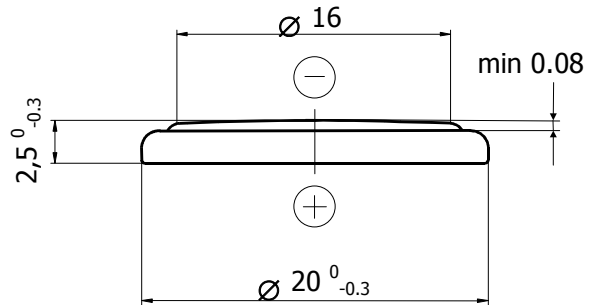
Technical Data Sheet

Specifications

Chemical System	Li/MnO ₂
Nominal Voltage	3 V
Rated Capacity	170 mAh
Standard Discharge Current	0.3 mA
Max. Cont. Discharge Current	3.0 mA
Average Weight	2.3 g
Temperature Range	-30 - +70 °C
Self Discharge at 25 °C	< 1% / year

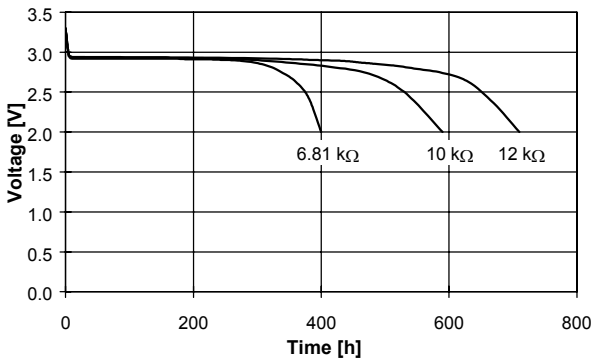
Dimensions

(According to IEC 60086)

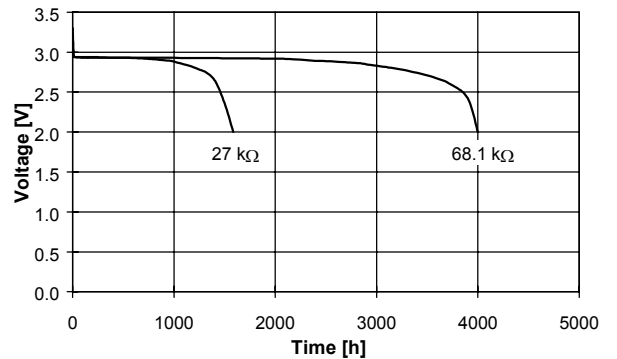


Performance

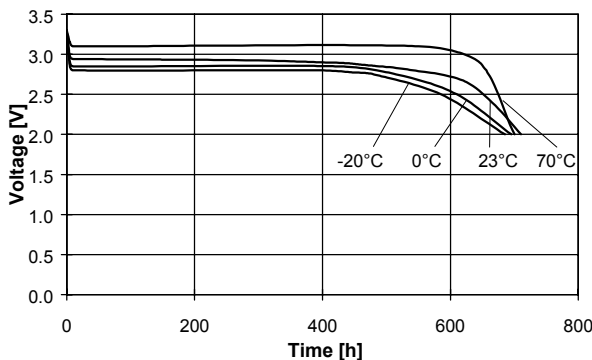
Discharge performance at 23°C



Discharge performance at 23°C



Temperature performance Load 12kΩ



Cell capacity at various loads

