

# CR1216

3V Lithium Battery  
Swiss Made

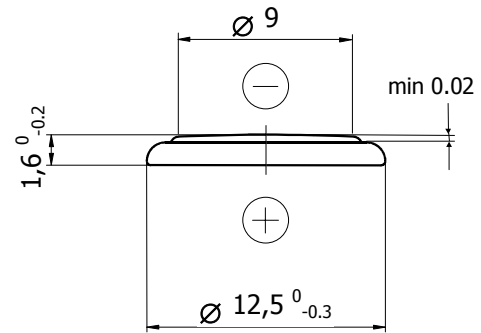
## Technical Data Sheet

### Specifications

Chemical System	Li/MnO <sub>2</sub>
Nominal Voltage	3 V
Rated Capacity	25 mAh
Standard Discharge Current	0.05 mA
Max. Cont. Discharge Current	1.0 mA
Average Weight	0.7 g
Temperature Range	-30 - +70 °C
Self Discharge at 25 °C	< 1% / year

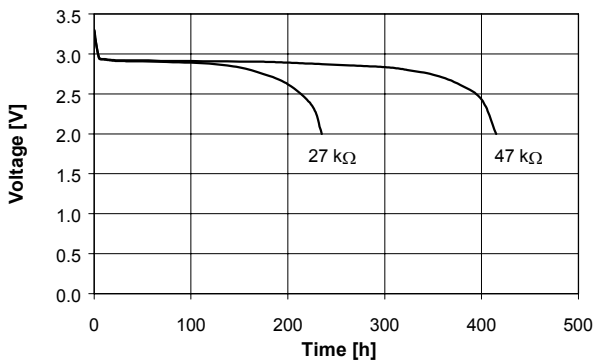
### Dimensions

(According to IEC 60086)

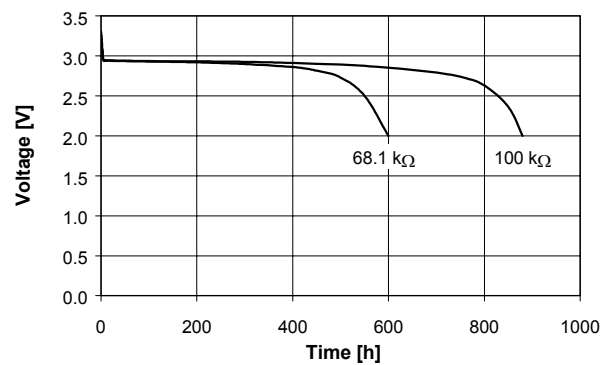


### Performance

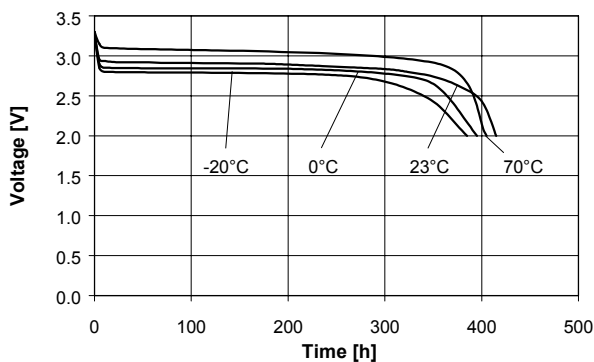
Discharge performance at 23°C



Discharge performance at 23°C



Temperature performance Load 47kΩ



Cell capacity at various loads

