

# A41

## IDC TRANSITION PLUG (4 ROWS)

PITCH: 2.54mm

### SPECIFICATIONS

#### Material

Insulator : PBT, glass reinforced, rated UL 94V-0

Contact : Phosphor Bronze or Brass

#### Electrical

Current Rating : 1 Amp

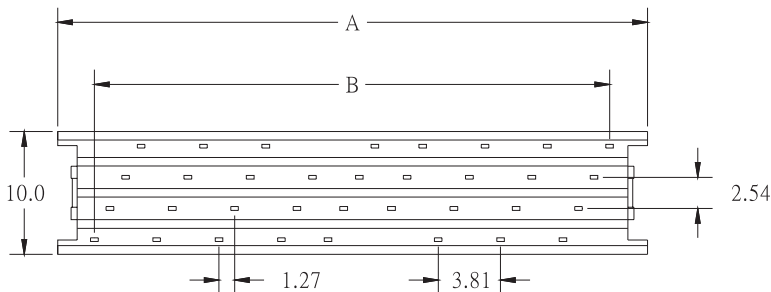
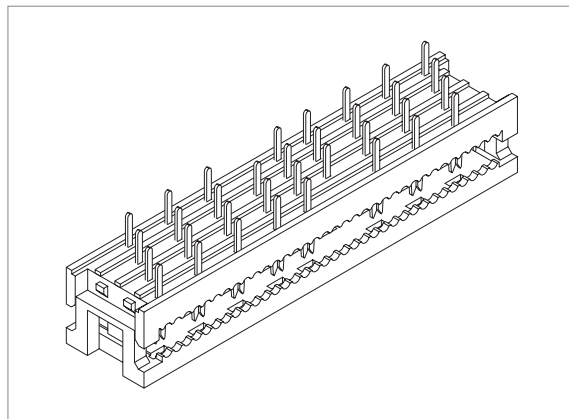
Contact Resistance : 30 mΩ max.

Insulation Resistance : 3000 MΩ min.

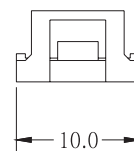
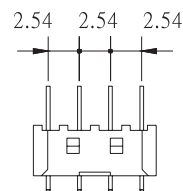
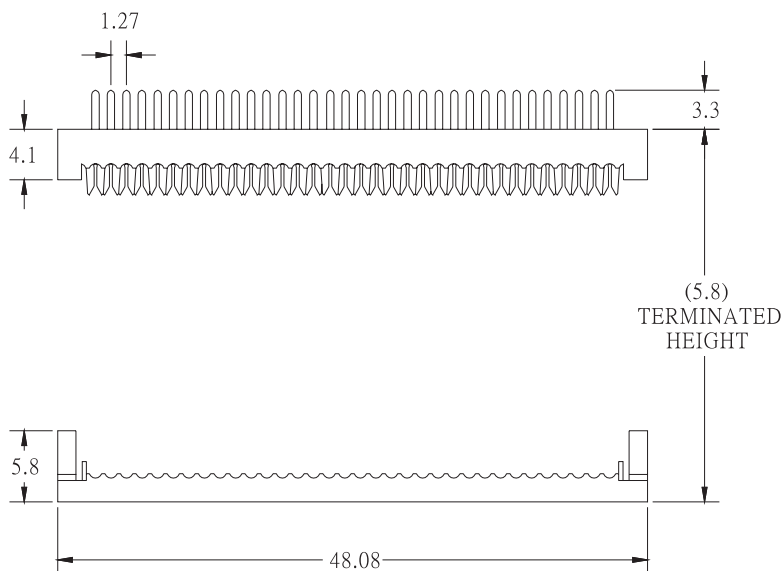
Dielectric Withstanding Voltage : 500V AC for 1minute

Operating Temperature : -40°C to +105°C

♦ Terminated with 1.27mm pitch flat ribbon cable.



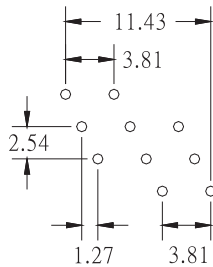
POSITION	A	B
10	17.60	11.43
14	22.68	16.51
16	25.22	19.05
20	30.30	24.13
26	37.92	31.75
34	48.08	41.91
40	55.70	49.53
50	68.40	62.23
60	81.10	74.93
64	86.18	80.01



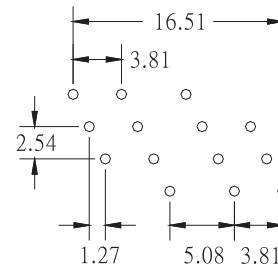
# A41

## IDC TRANSITION PLUG (4 ROWS)

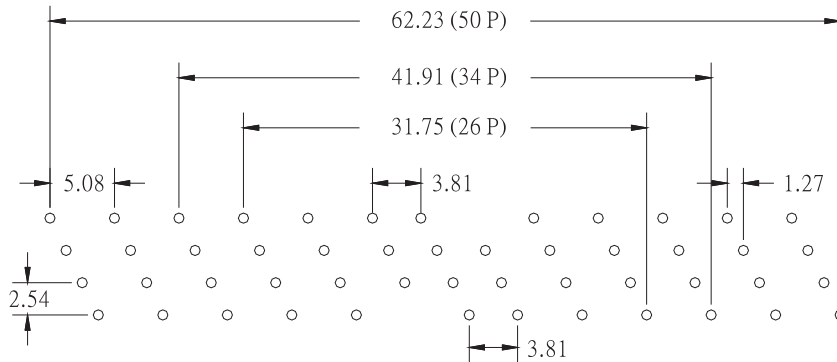
PITCH: 2.54mm



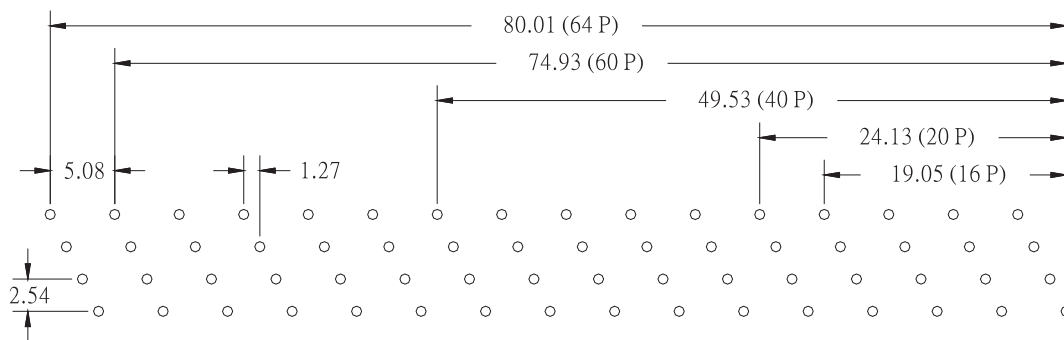
RECOMMENDED P.C.B LAYOUT FOR 10



RECOMMENDED P.C.B LAYOUT FOR 14



RECOMMENDED P.C.B LAYOUT FOR 26,34,50



RECOMMENDED P.C.B LAYOUT FOR 16,20,40,60,64

### HOW TO ORDER:

A41 -  -  -  -

1.NO. OF CONTACT	2.CONTACT MATERIAL	3.CONTACT PLATING	4.INSULATOR COLOR
10 14 16 20 26 34 40 50 60 64	A: BRASS B: PHOSPHOR BRONZE	T: TIN PLATED S: SELECTIVE G: GOLD FLASH A: 5u" INCH GOLD B: 10u" INCH GOLD C: 15u" INCH GOLD D: 30u" INCH GOLD	1. BLACK 2. GREY