

A29a ULTRA DIP PLUG (.1" * 1")

PITCH: 2.54mm

SPECIFICATIONS

Material

Insulator : PBT, glass reinforced, rated UL 94V-0

Contact : Phosphor Bronze

Electrical

Current Rating : 1 Amp

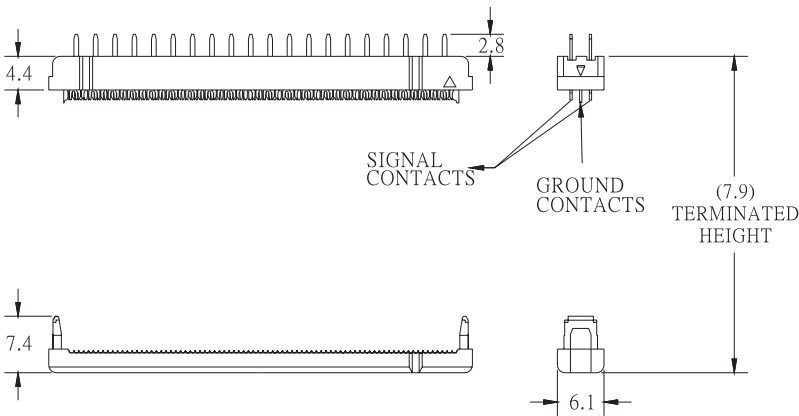
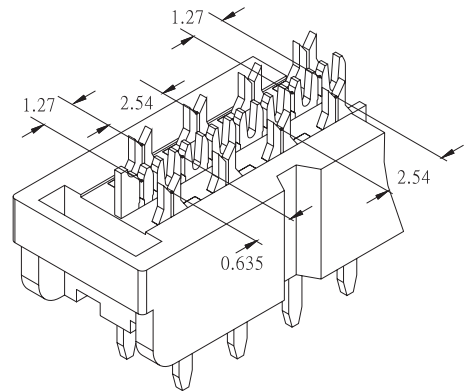
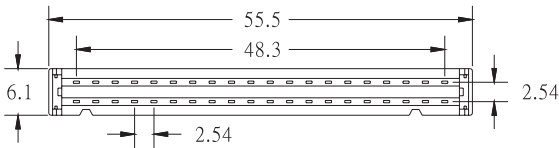
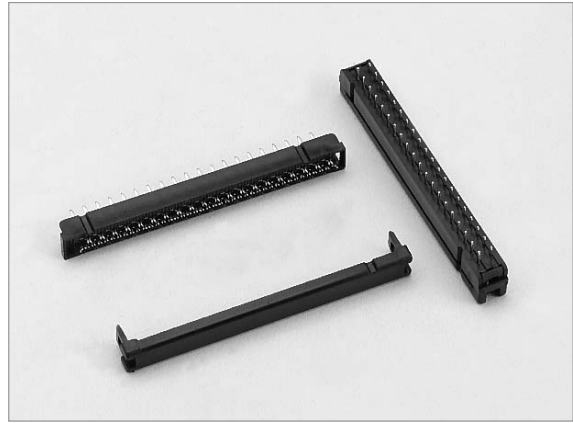
Contact Resistance : 30 mΩ max.

Insulation Resistance : 3000 MΩ min.

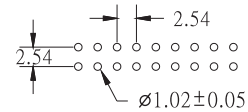
Dielectric Withstanding Voltage : 500V AC for 1minute

Operating Temperature : -40°C to +105°C

♦ Terminated with 0.635mm pitch flat ribbon cable.



(WIRE ACCOMMODATION: 30 AWG SOLID OR STRANDED 0.635mm(0.025") 80 CONDUCTORS FLAT RIBBON CABLE)



RECOMMENDED P.C.B LAYOUT

HOW TO ORDER:

A29a - - - -

1.NO. OF CONTACT	2.CONTACT MATERIAL	3.CONTACT PLATING	4.INSULATOR COLOR
40	B: PHOSPHOR BRONZE	T: TIN PLATED S: SELECTIVE G: GOLD FLASH A: 5u" INCH GOLD B: 10u" INCH GOLD C: 15u" INCH GOLD D: 30u" INCH GOLD	1. BLACK 2. GREY 3. BLUE