

A29

ULTRA ATA BUS CONNECTOR

PITCH: 2.54mm

SPECIFICATIONS

Material

Insulator : PBT, glass reinforced, rated UL 94V-0

Contact : Phosphor Bronze

Electrical

Current Rating : 1 Amp

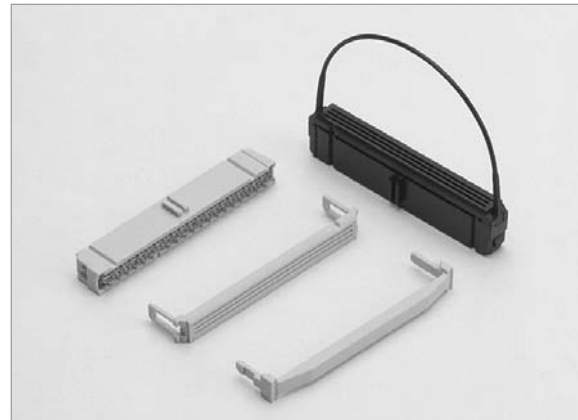
Contact Resistance : 30 mΩ max.

Insulation Resistance : 3000 MΩ min.

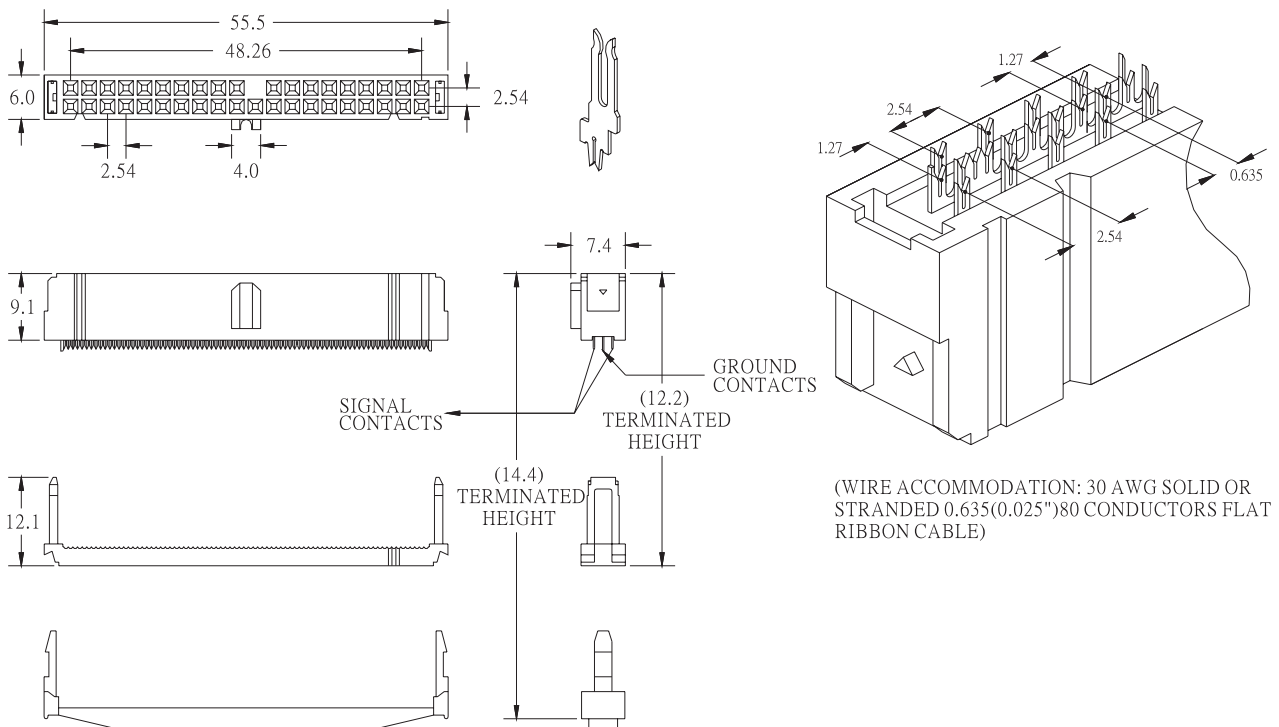
Dielectric Withstanding Voltage : 500V AC for 1minute

Operating Temperature : -40°C to +105°C

- ◆ Terminated with 0.635mm pitch flat ribbon cable.
- ◆ Mating Suggestion : C01a, C02a, C03 & C04 series.



A



HOW TO ORDER:

A29 - 1 - 2 - 3 - 4 - 5 - 6

1.NO. OF CONTACT	2.CONTACT MATERIAL	3.CONTACT PLATING	4.SPECIAL FUNCTION	5.POLARIZATION	6.INSULATOR COLOR
40	B: PHOSPHOR BRONZE	T: TIN PLATED S: SELECTIVE G: GOLD FLASH A: 5u" INCH GOLD B: 10u" INCH GOLD C: 15u" INCH GOLD D: 30u" INCH GOLD	A: W STRAIN RELIEF W BAR B: W/O STRAIN RELIEF W BAR C: W STRAIN RELIEF W/O BAR D: W/O STRAIN RELIEF W/O BAR	A: WITH 20 PIN MOLDED B: W/O 20 PIN MOLDED	1. BLACK 2. GREY 3. BLUE