

A27

SCSI-III D-SUB IDC (FEMALE)

PITCH: 1.27mm

SPECIFICATIONS

Material

Insulator : PBT, glass reinforced, rated UL 94V-0

Contact : Phosphor Bronze

Electrical

Current Rating : 1 Amp

Contact Resistance : 30 mΩ max.

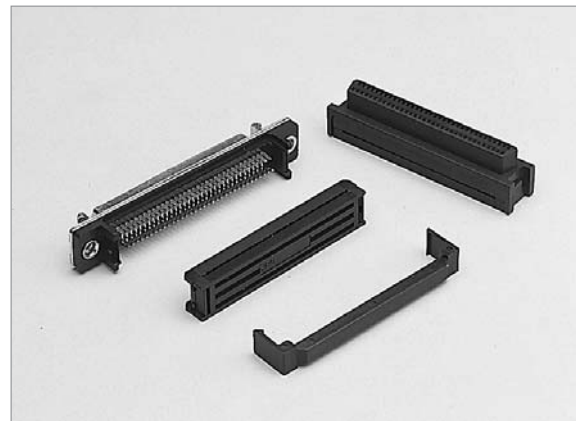
Insulation Resistance : 1000 MΩ min.

Dielectric Withstanding Voltage : 250V AC for 1minute

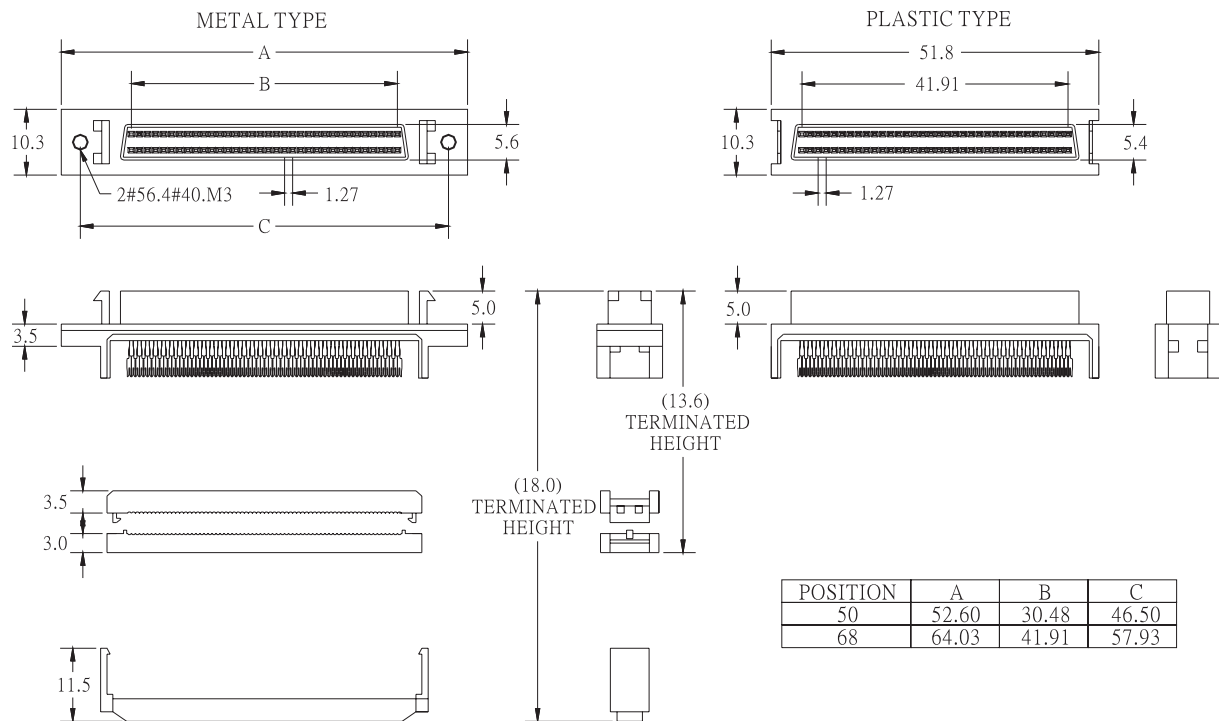
Operating Temperature : -40°C to +105°C

◆ Terminated with 0.635mm pitch flat ribbon cable.

◆ Mating Suggestion : A26 series.



A



HOW TO ORDER:

A27 - - - - - - - - - -

1.NO. OF CONTACT	2.CONTACT TYPE	3.CONTACT MATERIAL	4.CONTACT PLATING	5.SHELL
50 68	F: FEMALE	B: PHOSPHOR BRONZE	T: TIN PLATED S: SELECTIVE G: GOLD FLASH O: 3u" INCH GOLD A: 5u" INCH GOLD B: 10u" INCH GOLD C: 15u" INCH GOLD D: 30u" INCH GOLD	A: ALL PLASTIC B: METAL
6.MOUNTING METHOD	7.PARTS OPTION	8.ACCESSORIES	9.INSULATOR COLOR	
A: THREAD INSERT 2-56 B: THREAD INSERT 4-40 C: THREAD INSERT M3 D: THREAD INSERT M2.6	A: W FRONT LATCH B: W/O FRONT LATCH	A: W STRAIN RELIEF B: W/O STRAIN RELIEF	1. BLACK	