

# A19a

## CENTRONIC IDC TYPE 14 PIN FEMALE

PITCH: 2.54mm

### SPECIFICATIONS

#### Material

Insulator : PBT, glass reinforced, rated UL 94V-0

Contact : Phosphor Bronze

Shell : Steel

#### Electrical

Current Rating : 1 Amp

Contact Resistance : 30 mΩ max.

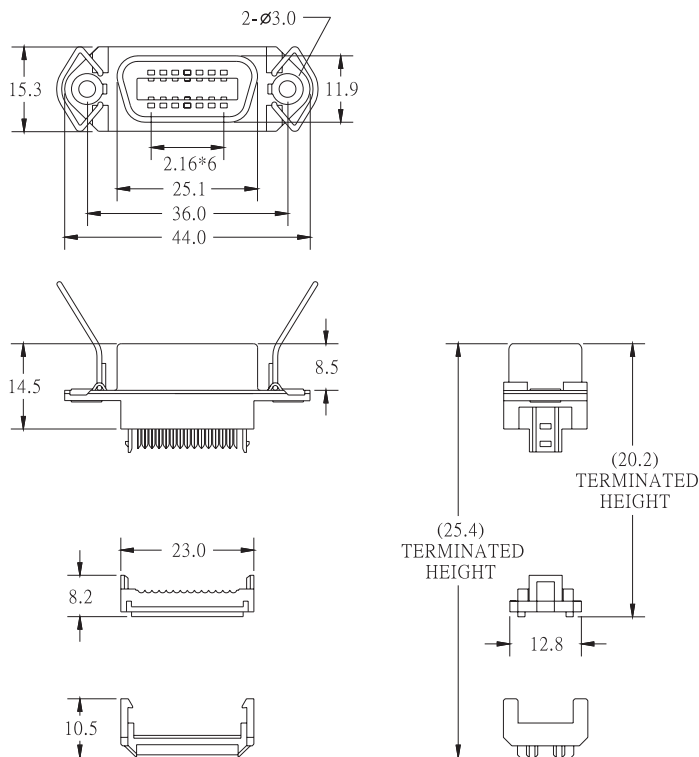
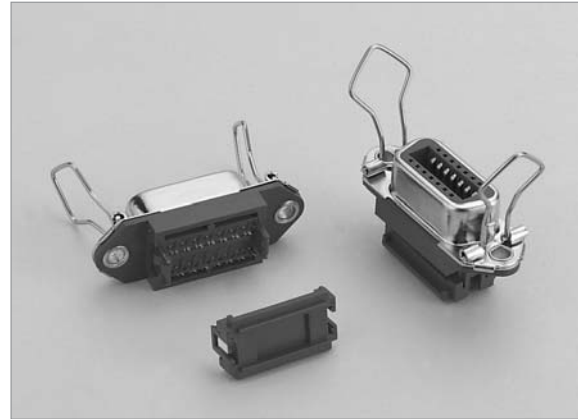
Insulation Resistance : 3000 MΩ min.

Dielectric Withstanding Voltage : 500V AC for 1minute

Operating Temperature : -40°C to +105°C

◆ Terminated with 1.27mm pitch flat ribbon cable.

◆ Mating Suggestion : A18a, F02 & F03 series.



### HOW TO ORDER:

A19a -  -  -  -  -  -  -  -  -  -

1.NO. OF CONTACT		2.CONTACT TYPE		3.CONTACT MATERIAL		4.CONTACT PLATING	
14		F: FEMALE		B: PHOSPHOR BRONZE		T: TIN PLATED S: SELECTIVE G: GOLD FLASH A: 5u" INCH GOLD B: 10u" INCH GOLD C: 15u" INCH GOLD D: 30u" INCH GOLD	
5.SHELL	6. MOUNTING METHOD	7. ACCESSORIES		8.INSULATOR COLOR			
B: METAL	A: THROUGH HOLE B: THREAD INSERT 4-40 UNC C: THREAD INSERT M3	A: W STRAIN RELIEF W LATCH B: W/O STRAIN RELIEF W LATCH C: W STRAIN RELIEF W/O LATCH D: W/O STRAIN RELIEF W/O LATCH		1. BLACK 2. GREY 3. BLUE			