

A18

CENTRONIC IDC TYPE 36 PIN MALE

PITCH: 2.54mm

SPECIFICATIONS

Material

Insulator : PBT, glass reinforced, rated UL 94V-0

Contact : Phosphor Bronze

Shell : Steel

Electrical

Current Rating : 1 Amp

Contact Resistance : 30 mΩ max.

Insulation Resistance : 3000 MΩ min.

Dielectric Withstanding Voltage : 500V AC for 1minute

Operating Temperature : -40°C to +105°C

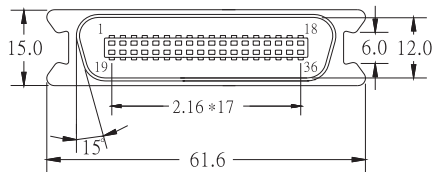
◆ Terminated with 1.27mm pitch flat ribbon cable.

◆ Mating Suggestion : A19, F02 & F03 series.

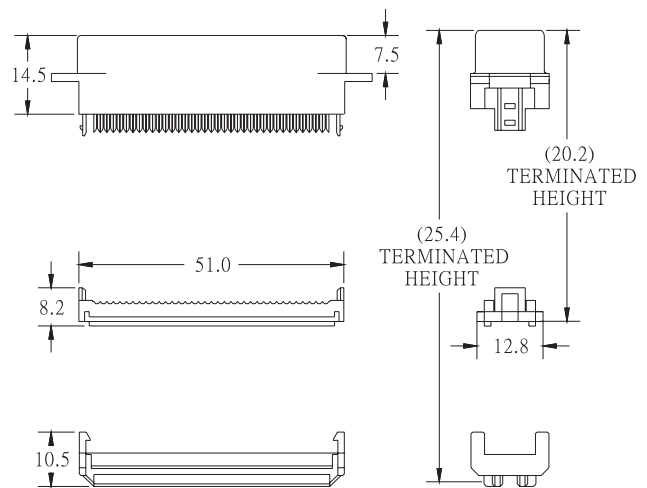
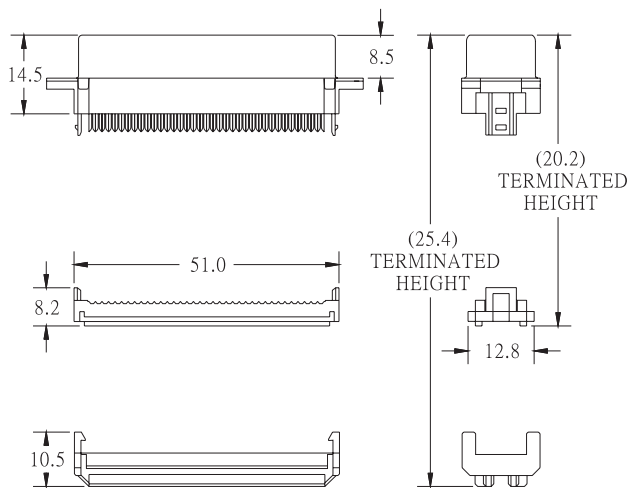
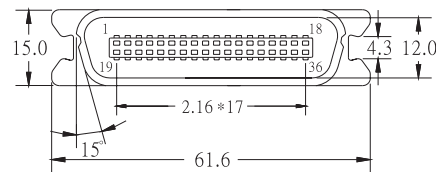


A

METAL TYPE



PLASTIC TYPE



HOW TO ORDER:

A18 - 1 - 2 - 3 - 4 - 5 - 6 - 7

1.NO. OF CONTACT	2.CONTACT TYPE	3.CONTACT MATERIAL	4.CONTACT PLATING
36	M: MALE	B: PHOSPHOR BRONZE	T: TIN PLATED S: SELECTIVE G: GOLD FLASH A: 5u" INCH GOLD B: 10u" INCH GOLD C: 15u" INCH GOLD D: 30u" INCH GOLD
5.SHELL	6.ACCESSORIES	7.INSULATOR COLOR	
A: ALL PLASTIC B: METAL	A: W STRAIN RELIEF B: W/O STRAIN RELIEF	1. BLACK 2. GREY 3. BLUE	