

# A14 DIP PLUG (.1" \* .6")

PITCH: 2.54mm

## SPECIFICATIONS

### Material

Insulator : PBT, glass reinforced, rated UL 94V-0

Contact : Phosphor Bronze or Brass

### Electrical

Current Rating : 1 Amp

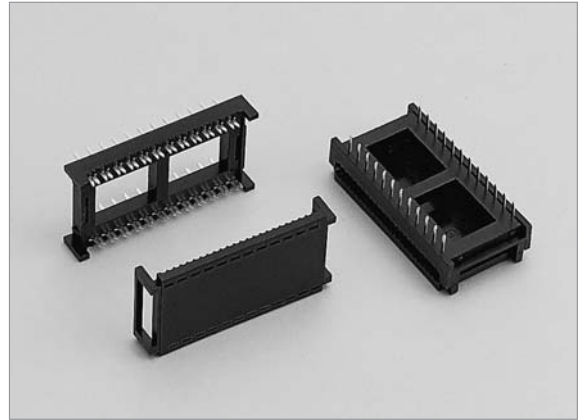
Contact Resistance : 30 mΩ max.

Insulation Resistance : 3000 MΩ min.

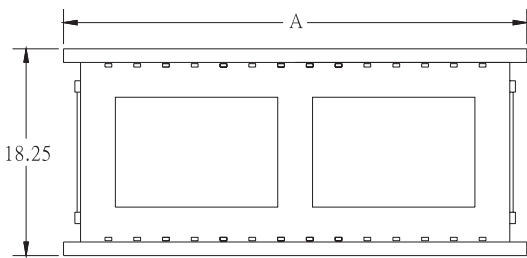
Dielectric Withstanding Voltage : 500V AC for 1minute

Operating Temperature : -40°C to +105°C

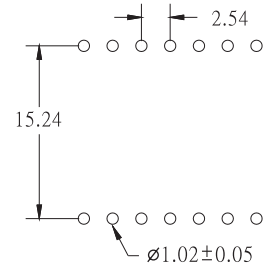
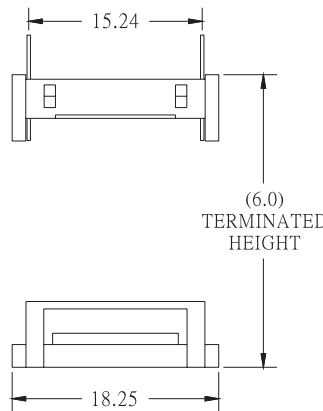
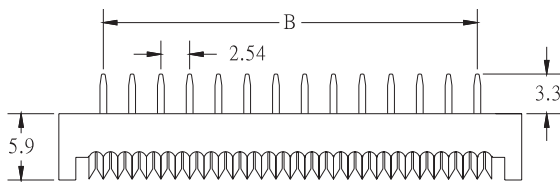
♦ Terminated with 1.27mm pitch flat ribbon cable.



A



POSITION	A	B
24	35.76	27.94
28	40.84	33.02
32	45.92	38.10
36	51.00	43.18
40	56.08	48.26



RECOMMENDED P.C.B. LAYOUT

## HOW TO ORDER:

A14 -  1 -  2 -  3 -  4

1.NO. OF CONTACT	2.CONTACT MATERIAL	3.CONTACT PLATING	4.INSULATOR COLOR
24 28 32 36 40	A: BRASS B: PHOSPHOR BRONZE	T: TIN PLATED S: SELECTIVE G: GOLD FLASH A: 5u" INCH GOLD B: 10u" INCH GOLD C: 15u" INCH GOLD D: 30u" INCH GOLD	1. BLACK 2. GREY